



Welcome to the World of Fasteners from...

DinStock™



DIMPLE™ DIRECT TENSION INDICATOR WASHERS 8.8 & 10.9

EN14399 - 9 (DTI Washers)

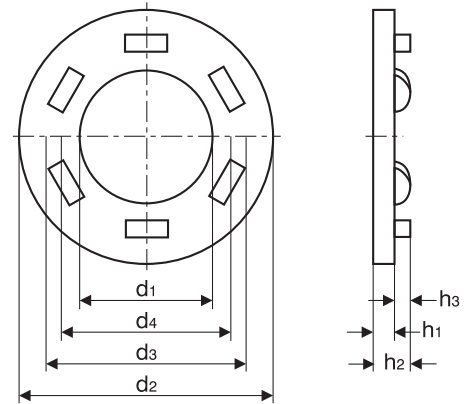
The purpose of the direct tension indicators is to show that a defined preload is achieved in the bolt. A quick and easy way of inspection that reduces time and labour costs by means of a simple visual check.

As a fastener assembly is tightened, the arch-like protrusions are compressed and the change in distance between the base of the protrusions of the DTI washer and the protrusion apex, correlates to a value of tensile force induced into the fastener. This distance can be verified by insertion of a tapered feeler gauge between the protrusions to the bolt shank.

The DTI washer can be used alone or with bolt face washers or nut face washers in accordance with BS EN 14399-9. In either case it is normal practice that the DTI washers are used as part of an assembly in accordance with BS EN 14399, however can be used with any suitable bolt to check a defined tension.

To comply with BS EN 14399-1, it is essential that all components of an assembly are supplied by one manufacturer including bolts, nuts, washers and direct tension indicators.

EEC manufactured and fully certified DTI washers are offered in Plain and Sherardised finishes.



DinStock™

Our website offers you details on the specification and use of Pre-load HSG bolting and their associated products.

www.dinstock.com

C1 Hortonwood 10, Telford, Shropshire TF1 7ES, UK

t +44 (0)1952 676700

f +44 (0)1952 676800

e sales@dinstock.com



We offer full mechanical and chemical certification, complete with full load test certificates using our TesT rotation loading equipment that meet the new CE test requirements.



Certificate No. LRQ 4006330

Full in-house testing on all bolting, nuts and washers to meet with all EU/CE requirements for pre-load and non pre-load bolt assemblies. Certified to ISO.9001:2008 with Lloyds Registrar and CE Approval to EN14399 (preload fasteners).